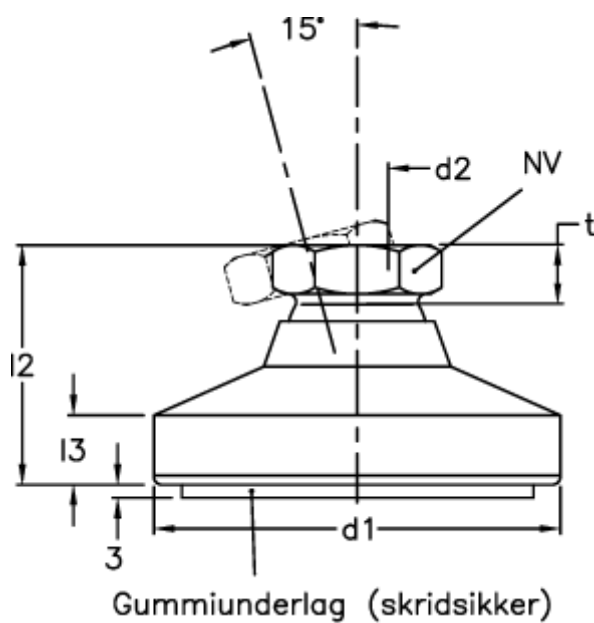


Article number: 20958467

Description: E+G Levelling foot
GN 343.3-50-M10-G

Measures



$d1$	= 50
$d2$	= M10
$l2$	= 27.5
$l3$	= 7.0
NV	= 15.0
Static load (N)	= 10000
t min	= 10.5